

## 60W Constant Current -LS Series

LS-60-XXX LI2



■ Approve

SELV CE

### ■ Features

- Class II, SELV, independent
- Input Voltage 220-240VAC
- Protections: SCP/OLP/OVP
- Power Factor: 0.95
- Efficiency ≥89%
- 5 years warranty

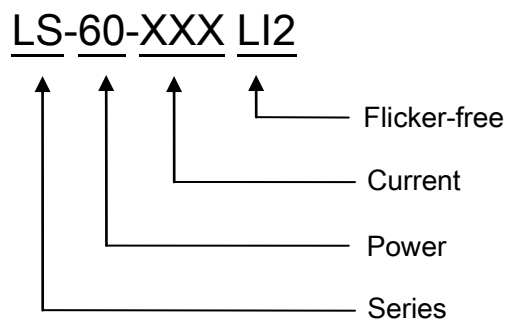
### ■ Applications

- LED panel
- LED spot light
- LED down light
- COB light

### ■ Description

LS-60-XXX LI2 is a 60W constant current LED driver with 600 to 1500mA output current. With it's compact dimensions from 154 x 45 x 30mm it is easy to integrate in LED Panel, spot, down lights and COB lights. To ensure trouble-free operation, protection is provided against output short circuit and over Load.

### ■ Model code



## 60W Constant Current -LS Series

LS-60-XXX LI2

### ■ Specification

Input	Rated input voltage	220-240VAC				
	Range of input voltage	198-264VAC				
	Frequency(Hz)	50/60 Hz				
	Power Factor	0.95 @Full Load,240VAC				
	Input Current max	0.47A MAX. @Full Load,198VAC (Please see Model list below for details.)				
	Start-up time	< 0.5S				
	Unload Power Consumption	≤0.5W				
	Inrush Current	30A Max.				
	THD	10% Typ. @Full Load,240VAC				
	Leakage Current	< 0.5mA(240VAC)				
Output	Constant Current Max. *Note.3	600mA	650mA	700mA	...	1500mA
	Unload voltage Max.	118VDC	110VDC	106VDC	...	55VDC
	Voltage Range(VDC)	70-100VDC	63-92VDC	60-86VDC	...	28-41VDC
	Rated power	60W Max.	59.8W Max.	60.2W Max.	...	61.5W Max.
	Current Accuracy	±5%				
	Voltage Regulation	±3% @Full Load				
	Load Regulation	±5%				
	Hold-up Time	1s max.@Full Load				
	Ripple& Noise *Note.2	≤±3% @Full Load,240VAC				
	Efficiency(Typ.)	≥89%				
Protecti- on	Over Load Protection	103-120% Protection type: Auto Resume				
	Over Voltage Protection	> 118VDC	> 110VDC	> 106VDC	...	> 55VDC
	Short circuit Protection	Protection type: Auto Resume				
Environ- ment	Operating Temperature	-20°C...+45°C				
	tc	75°C				
	Storage Temperature	-25°C...+60°C				
	Life time	> 30,000h@45°C				
	Humidity	20%-90%RH				
Others	Dimension	154X45X30(LXWXH)mm				
Safety & EMC	Safety standards	EN 61347-1; EN61347-2-13; EN62384				
	Withstand voltage	Input-Output : 3750V/5mA/1min				
	Isolation resistance	Input-Output : ≥4MΩ@500VDC				
	EMI	EN55015; EN61000-3-2 Class C; EN61000-3-3				
	EMS	EN 61547; EN 61000-4-2; EN 61000-4-5 —1000V;				
Note	1.All parameters NOT specially mentioned are measured at 240VAC input , full load and 25°C of ambient temperature. 2.Ripple & Noise are measured at 20MHz of bandwidth by using a 300mm twisted pair-wire terminated with a 0.1uF & 47 uF parallel capacitor. 3.Output current can be 630mA or from 600mA to 1500mA and increasing in multiples of 50mA. Please see Model list below and contact EAGLERISE for details.					

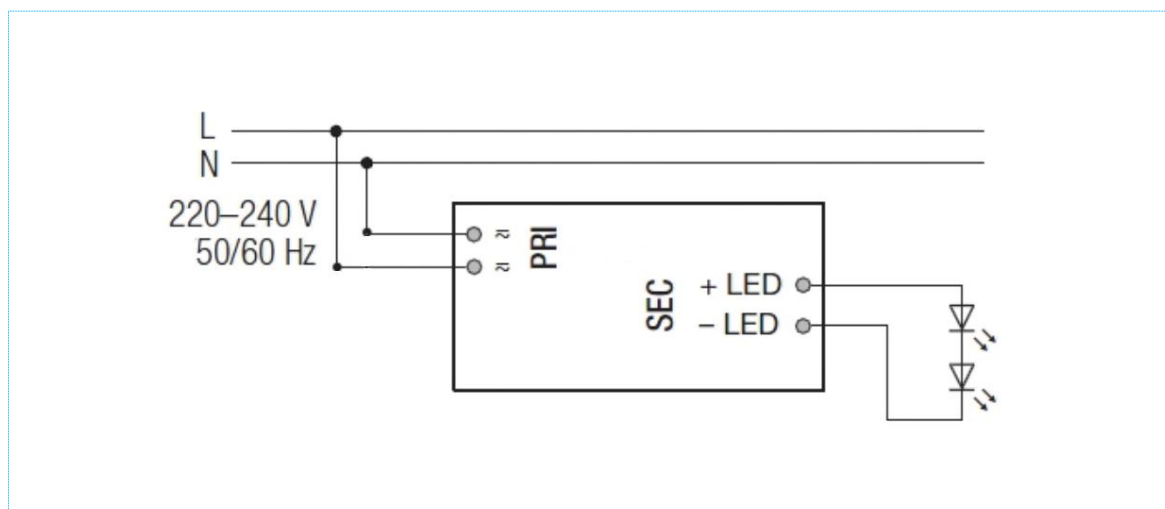
## 60W Constant Current -LS Series

LS-60-XXX LI2

### Model list

Model number	Input			Output			P(W)
	Voltage (VAC)	Current (A)	Frequency (Hz)	Constant current (mA)	Normal working voltage (VDC)	No load working voltage (VDC)	
LS-60-600 LI2	220-240	0.47	50/60	600	70-100	118	60
LS-60-650 LI2	220-240	0.47	50/60	650	63-92	110	59.8
LS-60-700 LI2	220-240	0.47	50/60	700	60-86	106	60.2
LS-60-750 LI2	220-240	0.47	50/60	750	56-80	100	60
LS-60-800 LI2	220-240	0.47	50/60	800	52-75	95	60
LS-60-850 LI2	220-240	0.47	50/60	850	48-70	90	59.5
LS-60-900 LI2	220-240	0.47	50/60	900	45-67	85	60.3
LS-60-950 LI2	220-240	0.47	50/60	950	42-63	80	59.9
LS-60-1000 LI2	220-240	0.47	50/60	1000	40-60	75	60
LS-60-1050 LI2	220-240	0.47	50/60	1050	40-58	75	60.9
LS-60-1100 LI2	220-240	0.47	50/60	1100	38-55	70	60.5
LS-60-1150 LI2	220-240	0.47	50/60	1150	35-52	65	59.8
LS-60-1200 LI2	220-240	0.47	50/60	1200	35-50	63	60
LS-60-1250 LI2	220-240	0.47	50/60	1250	32-48	60	60
LS-60-1300 LI2	220-240	0.47	50/60	1300	32-46	60	59.8
LS-60-1350 LI2	220-240	0.47	50/60	1350	30-45	58	60.8
LS-60-1400 LI2	220-240	0.47	50/60	1400	28-42	55	58.8
LS-60-1450 LI2	220-240	0.47	50/60	1450	28-42	55	60.9
LS-60-1500 LI2	220-240	0.47	50/60	1500	28-41	55	61.5

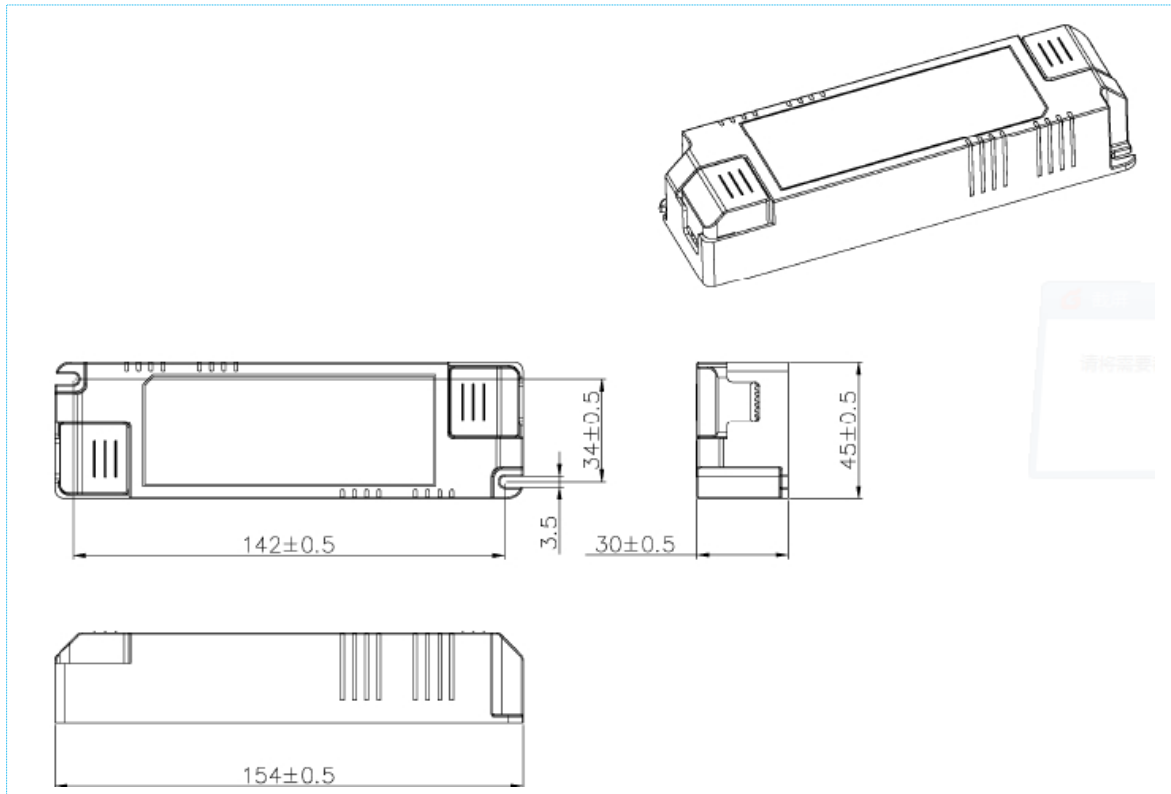
### Connection diagram



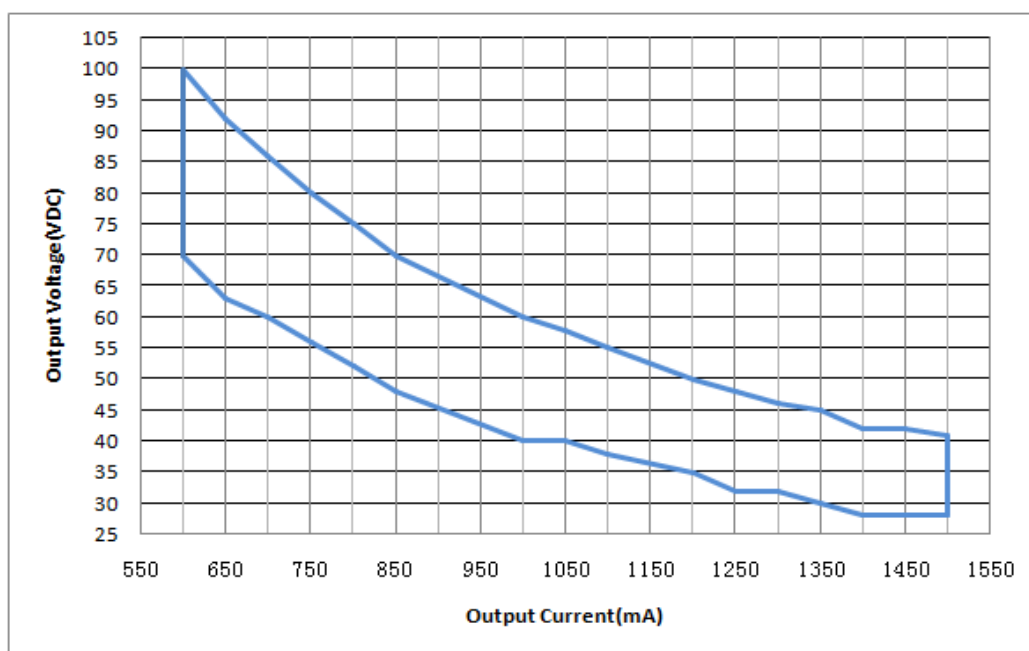
## 60W Constant Current -LS Series

LS-60-XXX LI2

### ■2D diagram



### ■Operating window



— Operating window 100%